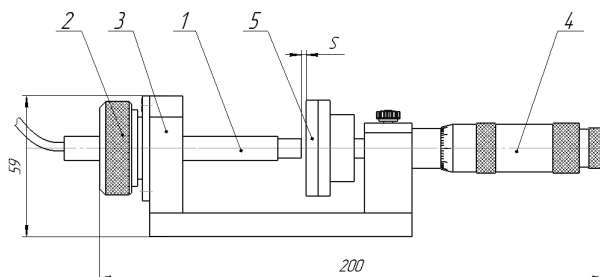




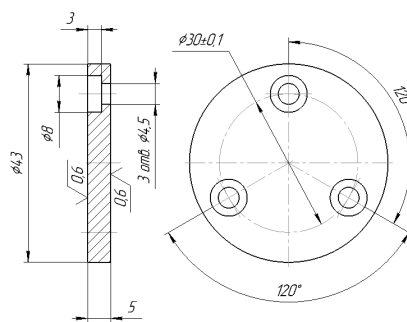
LINEAR DISPLACEMENT METER

# ILP-160

Linear displacement meter ILP-160 is intended for calibration of displacement converters together with proximeters.



Exterior view of the ILP-160 stand. 1 - verified eddy-current displacement converter; 2 - collet clamp; 3 - rack; 4 - reading device, micrometer type MK 25-50 mm; 5 - standard of metal grade 20X13.



Standard of metal grade 20X13

Measuring displacement, mm	0 to 25
Basic error of displacement measurement, mm	$\pm 0.01$
Dimensions, mm	200 × 44 × 59
Weight, kg	0.5



Exterior of the ILP-160 stand